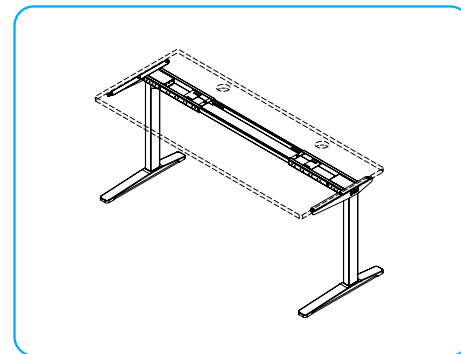
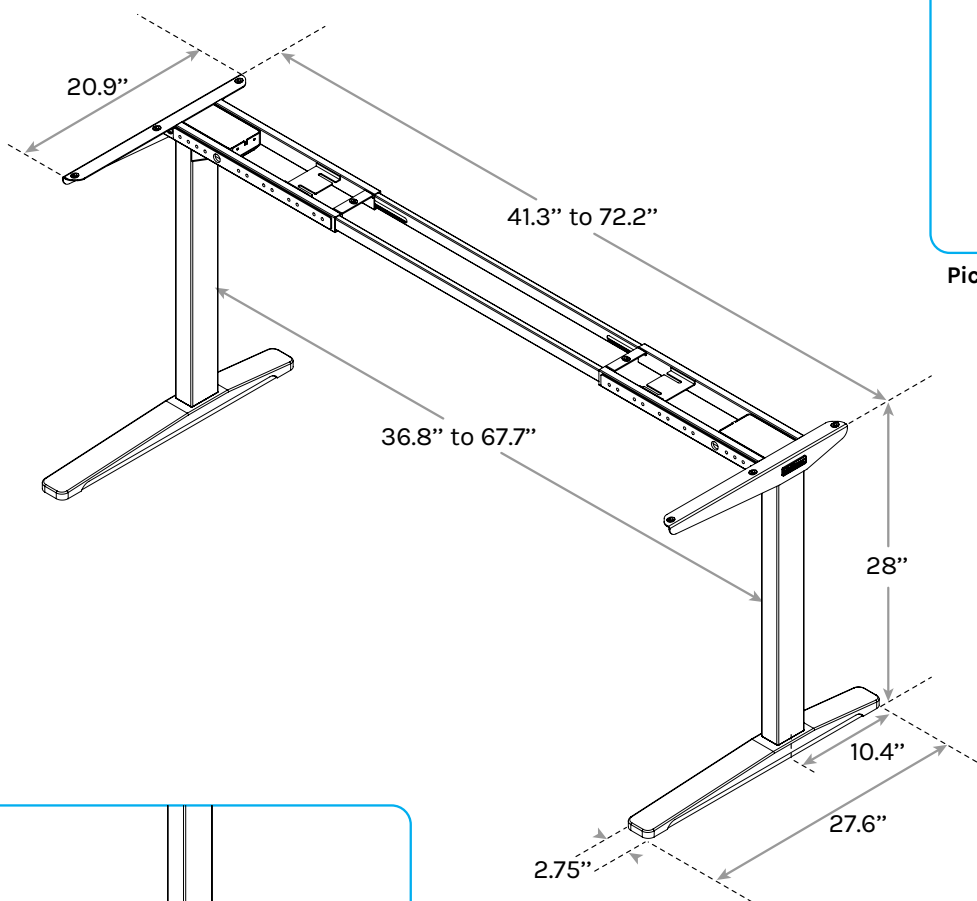


2-Leg Seated Height Side Table

SKU: FRMA-2-SRD-FIX

Specifications

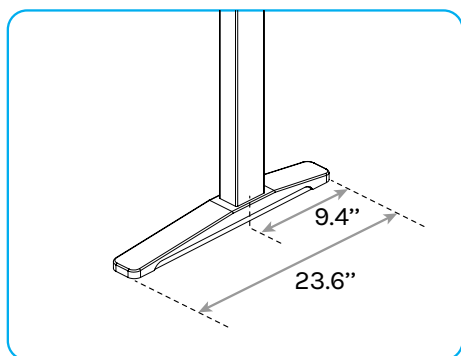
C-Frame



Pictured: frame and desktop placement



**Contract-grade
Quality**



Also available with shorter feet for 24" deep and 120° desktops


Construction	Steel
Weight Capacity	355 lbs
Warranty	15 years

 **48 Accessory
Mounting Points**

 **Meets BIFMA X5.5-2014
Durability Standard**

 **Stability Brace
on Each Leg**

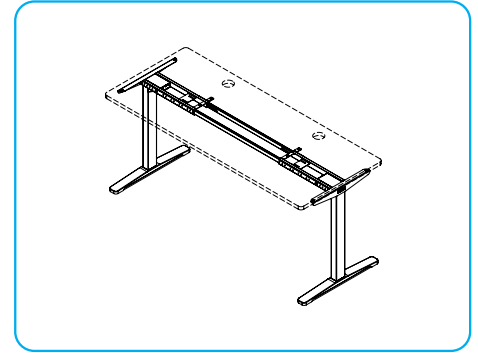
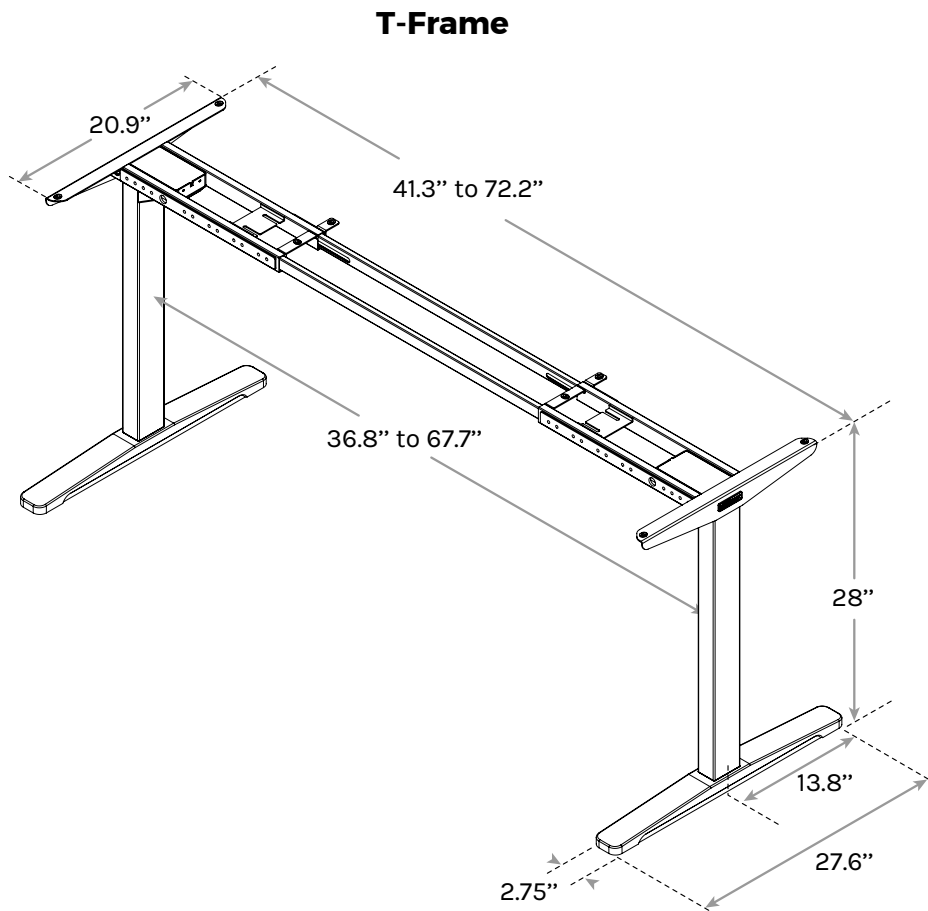
 **Available in 4 Color
Options**

 For technical questions and support call 800-349-3839, email info@upliftdesk.com, or visit our chat service at upliftdesk.com

2-Leg Seated Height Side Table

SKU: FRMA-2-SRD-FIX

Specifications



**Contract-grade
Quality**


Construction	Steel
Weight Capacity	355 lbs
Warranty	15 years

 **48 Accessory
Mounting Points**

 **Meets BIFMA X5.5-2014
Durability Standard**

 **Stability Brace
on Each Leg**

 **Available in 4 Color
Options**

 For technical questions and support call 800-349-3839, email info@upliftdesk.com, or visit our chat service at upliftdesk.com