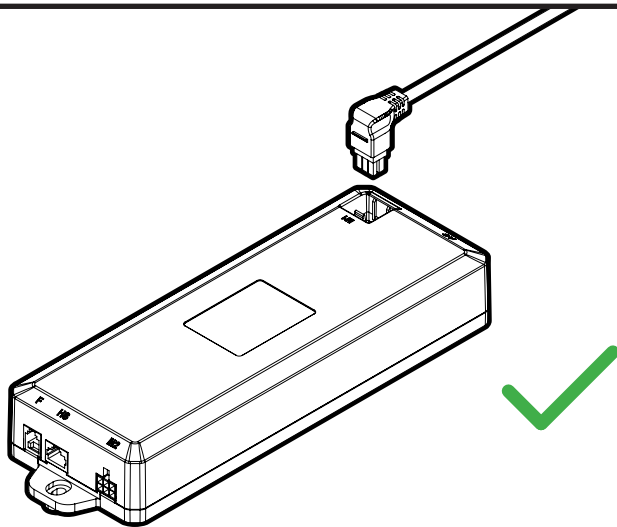


# ATTENTION

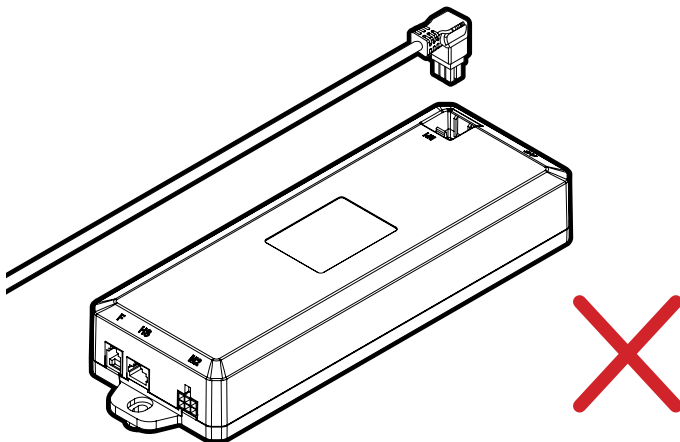
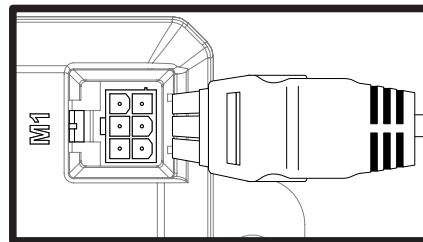
## IMPORTANT ADDENDUM FOR 2-Leg Control Box and Leg Cable

If your Control Box has the “M1” port on the top side, follow these instructions. When connecting the Leg Cables to the Control Box, it is very important to plug the cable in the correct way.



### The Right way

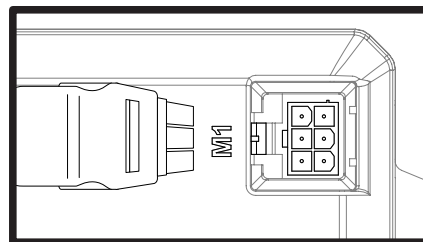
Plug the Leg Cable into the “M1” port in the orientation shown with the cable pointing away from the Control Box.



### The Wrong way

DO NOT attempt to plug the Leg Cable into the “M1” port with the cable running back over the top of the Control Box.

Doing so can permanently damage the Leg Cable and Control Box.



UPLIFT DESK®